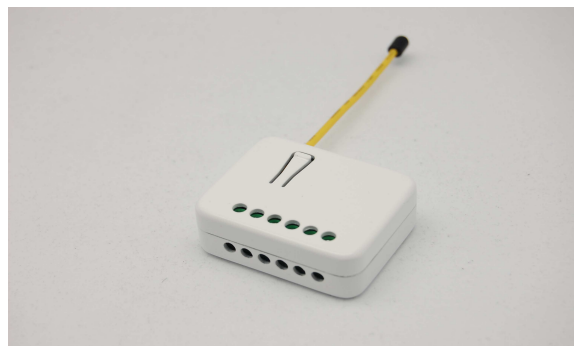




PAN08-1/-2/-3 Roller Shutter Controller(With position feedback) Z-Wave Series



Features

- Adopt newest Z-wave 400series chip, support multichannel operation and higher data rate (9.6/40/100kbps)
- Adopt Z-Wave protocol to secure the success of wireless two way communication
- Higher RF output power (+2.5dBm output power as compared to -2.5dBm 300 series Z-wave module) to enhance the communication range
- With zero crossing technology to extend the number of switching
- Slim design, easy install
- Max load up to 1100W
- After calibration, the controller can feedback the roller shutter position
- Overload protection
- Z-Wave V6.02
- Very low Electricity consumption, meet Europe year 2012 energy-related products requirement directive 2009/125/EC no. 1275/2008
- Z-Wave Certified No ZC08-13070030
ZC08-13080002
- LVD:EN 60669-2-1:2004+A1:2009+A12:2010,
EN 60669-2-2 :2006
EN 60669-1:1999+A1:2002+A2:2008+IS1:2009
- **R&TTE** : EN 301489, EN 300200,



Introduction

The in-wall Roller Shutter Controller is designed to switch rise/lower roller shutter connected to its terminals using radio waves, controllers and a push button directly connected to this Roller Controller.

This in-wall Roller Shutter Controller is a transceiver which is a Z-Wave™ enabled device and is fully compatible with any Z-Wave™ enabled network. Slim design let the Controller can easily hide itself into the wall box and that will be good for the house decoration.

The new smart relay calibration technology can reduce the inrush current caused by the load and let the module work perfectly with many kind of Roller Shutter.

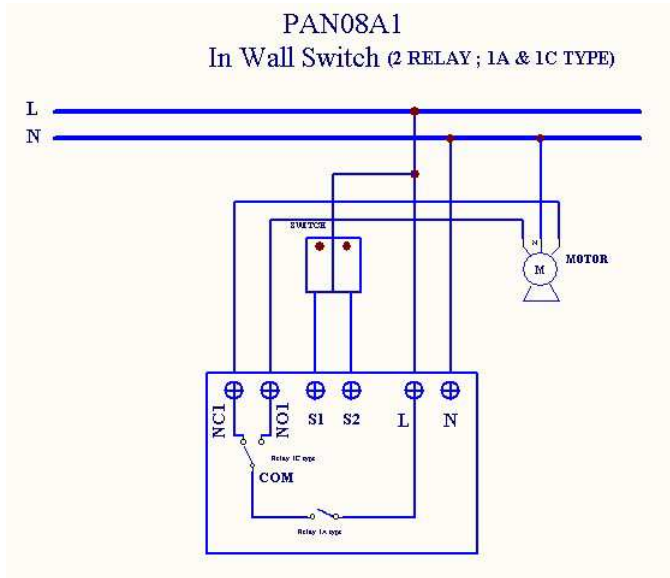
This in-wall Roller Shutter Controller is able to detect position of the Shutter by using the patterned power measuring method, so it can be remote controlled not only fully up or down, but also can be adjusted to ex. 30% or 50%. And when manual controlled by push button, the controller also can memorize the position and send the new shutter position to its controller (ex. IP-Gateway).

Specification

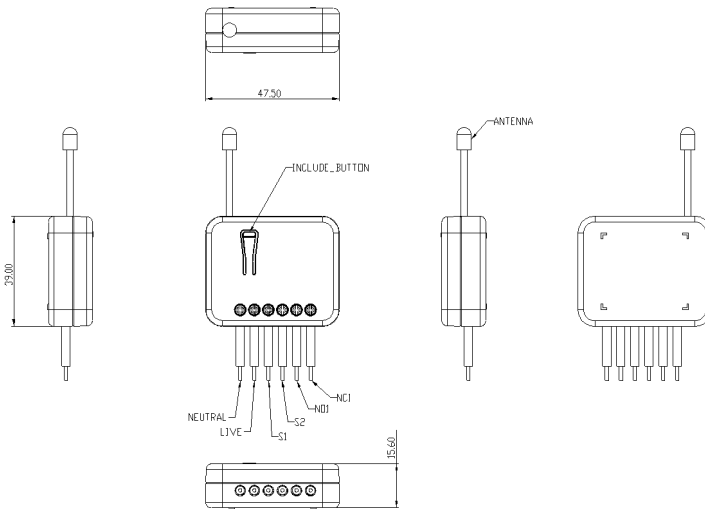
Power	No load standby power Input voltage	0.48W (230V) 0.35W (120V) 90 ~240VAC
RF	Frequency Regulation Distance	PAN08-1 868.42 (EU) / PAN07-2 908.42(USA/Canada)MHz / PAN08-3 922.5/923.9/926.3MHz (Taiwan/JP)MHz FCC part15.249 / EN300 220-1/ min. 40m indoor min. 100m outdoor
Mechanical	weight Dimension (W x H x D)	30 g 47.5x39x15.6 mm
Environment	Operation Temperature Humidity	0 ~ 40° C 85%RH max
Load	Resistive load overload	1100W (230V) 600W (120V) 1200W (230V) 700W(120V)



Application



Dimension (unit: mm)



Application:

Home Automation
Energy Saving

Philio Technology Corporation
www.philio-tech.com