



AEO_HEM1-100A Z-Wave Clamp Power Meter 2nd Generation - one clamp max. 100 Ampere



Firmware Version : 1.5

Quick Start

S This device is a Z-Wave Sensor.

Single click the little button on the backside to include or exclude the device.

Please refer to the chapters below for detailed information about all aspects of the products usage.

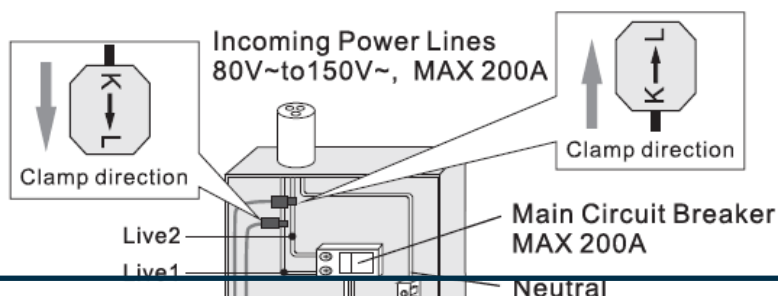
Product description

The Aeon Labs Smart Energy Monitor is a low-cost energy monitor for the entire home. It can wirelessly report immediate wattage and kWh usage to central control point gateways and can be easily installed. Installed in an electricity box, the energy meter will monitor the total consumption of electricity used by an entire building. And its intelligent clamps will report that energy use back to your control point, in watts or kilowatt-hours, and in real time. So you can see how much electricity you really use and when you use it.

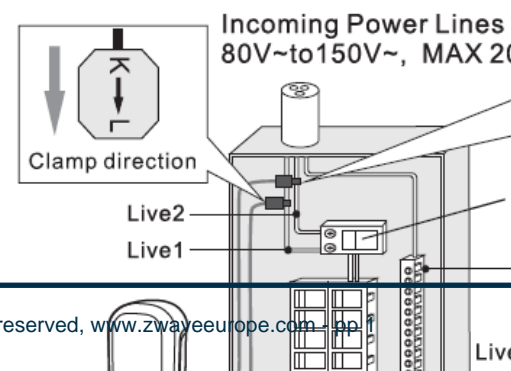
The main body is anchored using a back mount. The device is powered from a normal AC power supply. The device has **one clamp** and reports W and kWh (up to 100 Ampere).

Installation Guidelines

Terminal Block Wiring



Plug Connection



The installation of your Aeotec Home Energy Meter has two major parts: the installation of the meter into your Z-Wave network, and the installation of it into your AC mains electricity box. The electrical installation of your meter into your circuit box should only be done a licensed electrician with knowledge and understanding of electrical systems and electrical safety. You can perform the second half of the installation process, linking the meter with your Z-Wave network, yourself.

Important: Turn the main breaker off and open the main circuit box panel.

Clip clamps of the meter around the incoming electricity cables that connect to the main circuit breaker.

Connect the clamp to the meter using a Clamp Connector.

Connect the AC Wire to the meter using the AC Wire Connector.(option)

Insert one of AC Power exposed wires into one of the neutral bus terminals and the other exposed wire into the live terminals coming from the main circuit breaker.

Replace the main circuit box panel.

Turn the main breaker back on.

If the circuit boxes is made of metal the radio signal strength may be reduced. In this situation it is recommended that the main body of the meter be affixed outside the circuit box. This will improve the radio signal strength. The Home Energy Meter G2 has been weatherized to the international IP44 standard so that it is resistant to rain and snow when placed vertically with the wires protruding from the bottom of the unit.

To place the Home Energy Meter:


Slip open the backing plate from the back of your meter.

Affix the plate to the selected wall space using the provided screws.

Attach your meter to the backing plate.

After an electrician connects your Home Energy Meter to your electrical mains, you should include the meter into your Z-Wave network.

Behavior within the Z-Wave network

 On factory default the device does not belong to any Z-Wave network. The device needs to join an existing wireless network to communicate with the devices of this network. This process is called **Inclusion**. Devices can also leave a network. This process is called **Exclusion**. Both processes are initiated by the primary controller of the Z-Wave network. This controller will be turned into exclusion respective inclusion mode. Please refer to your primary controllers manual on how to turn your controller into inclusion or exclusion mode. Only if the primary controller is in inclusion or exclusion mode, this device can join or leave the network. Leaving the network - i.e. being excluded - sets the device back to factory default.

If the device already belongs to a network, follow the exclusion process before including it in your network. Otherwise inclusion of this device will fail. If the controller being included was a primary controller, it has to be reset first.

Single click the little button on the backside one time to include or exclude the device.

Operating the device

The Aeotec Home Energy Meter can report wattage energy usage or kWh energy usage to a control point when requested. If this function is supported by the controller point, the energy consumption will be displayed in the user interface of the control point. (The specific Z-Wave commands supporting energy monitoring are the Meter Command Class)

Node Information Frame

NI The Node Information Frame is the business card of a Z-Wave device. It contains information about the device type and the technical capabilities. The inclusion and exclusion of the device is confirmed by sending out a Node Information Frame. Beside this it may be needed for certain network operations to send out a Node Information Frame.

A single click on the little button on the backside sends a Node Information Frame.

Associations

A Z-Wave devices control other Z-Wave devices. The relationship between one device controlling another device is called *association*. In order to control a different device, the controlling device needs to maintain a list of devices that will receive controlling commands. These lists are called **association groups** and they are always related to certain events (e.g. button pressed, sensor triggers, ...). In case the event happens all devices stored in the respective association group will receive a common wireless command.

Association Groups:

1	Receiver of all Reports (max. nodes in group: 5)
---	--

Configuration Parameters

Z-Wave products are supposed to work out of the box after inclusion, however certain configuration can adapt the function better to user needs or unlock further enhanced features.

IMPORTANT: Controllers may only allow to configure signed values. In order to set values in the range 128 ... 255 the value sent in the application shall be the desired value minus 256. For example: to set a parameter to 200? it may be needed to set a value of 200 minus 256 = minus 56. In case of two byte value the same logic applies: Values greater than 32768 may needed to be given as negative values too.

If the reverse clamping pliers, negative power is detected. (Parameter Number 2, Parameter Size 1)

Value	Description
0	Disabled (Default)
1	Enabled

Automated Report only when power is changed (Parameter Number 3, Parameter Size 1)

Value	Description
0	Disabled (Default)
1	Enabled

Minimum Change to send Report (Watt) for the whole HEM (Parameter Number 4, Parameter Size 2)

The value represents the minimum change in Wattage for a Report to be sent .

Value	Description
0 — 32000	W (Default 50)

Minimum Change to send Report (Watt) for clamp 1 (Parameter Number 5, Parameter Size 2) The value

represents the minimum change in Wattage for a Report to be sent .

Value	Description
0 — 32000	W (Default 50)

Minimum Change to send Report (Watt) for clamp 2 (Parameter Number 6, Parameter Size 2) The value

represents the minimum change in Wattage for a Report to be sent .

Value	Description
0 — 32000	W (Default 50)

Minimum Change to send Report (Watt) for clamp 3 (Parameter Number 7, Parameter Size 2) The value

represents the minimum change in Wattage for a Report to be sent .

Value	Description
0 — 32000	W (Default 50)

Minimum Change to send Report (%) for the whole HEM (Parameter Number 8, Parameter Size 1)
 The value represents the minimum change in Watage Percent for a report to be sent

Value	Description
0 — 255	% (Default 10)

Minimum Change to send Report (%) for clamp 1 (Parameter Number 9, Parameter Size 1) The value represents the minimum change in Watage Percent for a report to be sent

Value	Description
0 — 255	% (Default 10)

Minimum Change to send Report (%) for clamp 2 (Parameter Number 10, Parameter Size 1) The value represents the minimum change in Watage Percent for a report to be sent

Value	Description
0 — 255	% (Default 10)

Minimum Change to send Report (%) for clamp 3 (Parameter Number 11, Parameter Size 1) The value represents the minimum change in Watage Percent for a report to be sent

Value	Description
0 — 255	% (Default 10)

Enable /disable reporting CRC-16 Encapsulation Command (Parameter Number 13, Parameter Size 1)

Value	Description
0	Disabled (Default)
1	Enabled

Set 101-103 to default (Parameter Number 100, Parameter Size 1)

Value	Description
-------	-------------

Report type send in Reporting Group 1 (Parameter Number 101, Parameter Size 4) Defines the type of report sent for the Reporting Group 1.

Value	Description
1	Battery Report
2	MultiSensor Report for the whole device
4	Meter Report for Watt for the whole device
8	Meter Report for kWh for the whole device (Default)
256	Meter Report for Watt for clamp 1
512	Meter Report for Watt for clamp 2
1024	Meter Report for Watt for clamp 3
2048	Meter Report for kWh for clamp 1
4096	Meter Report for Watt for clamp 2
8192	Meter Report for kWh for clamp 3

Report Type send in Reporting Group 2 (Parameter Number 102, Parameter Size 4) Defines the type of report sent for the Reporting Group 2.

Value	Description
1	Battery Report
2	MultiSensor Report for the whole device
4	Meter Report for Watt for the whole device
8	Meter Report for kWh for the whole device
256	Meter Report for Watt for clamp 1
512	Meter Report for Watt for clamp 2
1024	Meter Report for Watt for clamp 3
2048	Meter Report for kWh for clamp 1
4096	Meter Report for Watt for clamp 2
8192	Meter Report for kWh for clamp 3

Report Type send in Reporting Group 3 (Parameter Number 103, Parameter Size 4) Defines the type of report sent for the Reporting Group 3.

Value	Description
1	Battery Report
2	MultiSensor Report for the whole device
4	Meter Report for Watt for the whole device
8	Meter Report for kWh for the whole device
256	Meter Report for Watt for clamp 1
512	Meter Report for Watt for clamp 2
1024	Meter Report for Watt for clamp 3
2048	Meter Report for kWh for clamp 1
4096	Meter Report for Watt for clamp 2
8192	Meter Report for kWh for clamp 3

Set 111-113 to default (Parameter Number 110, Parameter Size 1)

Value	Description
-------	-------------

Send Interval for Reporting Group 1 (Parameter Number 111, Parameter Size 1) Defines the time interval when the defined report of Reporting Group 1 is sent out.

Value	Description
0 — 255	Seconds (Default 1)

Send Interval for Reporting Group 2 (Parameter Number 112, Parameter Size 1) Defines the time interval when the defined report of Reporting Group 2 is sent out.

Value	Description
0 — 255	Seconds (Default 1)

Send Interval for Reporting Group 3 (Parameter Number 113, Parameter Size 1) Defines the time interval when the defined report of Reporting Group 3 is sent out.

Value	Description
0	Seconds

Partner ID (Parameter Number 200, Parameter Size 1) (0= Aeon Labs Standard Product, 1= AT&T).

Value	Description
-------	-------------

Enable/disable Configuration Locked (Parameter Number 252, Parameter Size 1) 0 =disable, 1 = enable

Value	Description
0	0 = disabled (Default)
1	1 = enabled

Device Tag (Parameter Number 254, Parameter Size 2)

Value	Description
-------	-------------

Reset (Parameter Number 255, Parameter Size 1) Reset configuration set up to default setting

Value	Description
-------	-------------

Technical Data

IP Rating	IP 44
Frequency	868.42 MHz (SRD Band)
Wireless Range	up to 100 m outside, on average up to 20 m inside buildings
Explorer Frame Support	Yes
SDK	4.55.00
Device Type	Slave with routing capabilities
Generic Device Class	Meter
Specific Device Class	Simple Meter
Routing	Yes
FLiRS	No
Firmware Version	1.5