

TZE93 Weekly Programming Thermostat with LCD Screen

Weekly circulation, it is possible to set 6 periods called events each day with different temperatures, also you can select "manual mode" or "temporary control mode" according to your individual requirements. The thermostat is recommended for the control of electric heating devices or on/off valve actuator used in water-based heating systems.

Selection Table:

| Model | Current | Application |
|-----------|---------|---|
| TZE93.713 | 3A | Built-in & floor sensor, floor limit sensor, period programming |
| TZE93.716 | 16A | Built-in & floor sensor, floor limit sensor, period programming |

Technical data:

Voltage : AC 110 ~ 230V
Range : Minimum 40m in door 70m outdoor line of sight
Frequency : 868.42MHz(EU),908.4MHz(US), 921.4MHz(AU),869MHz(RU)
Power consumption : 2W
Setting range : 5°C~90°C
Limitation range : 5°C~99°C (factory setting:35°C)
Switching differential : 0.5°C~10°C (factory setting:+1°C)
Ambient temperature : -5°C~50°C
Protective housing : IP20
Housing material : self-extinguishing PC

Inclusion/Exclusion

- 1) Make sure the thermostat in the off mode,
- 2) Have Z-wave controller enter inclusion or exclusion mode,
- 3) Press key on thermostat 3 times in 1.5 seconds will enter inclusion/exclusion mode. The wireless icon will twinkle in the certain interval.
- 4) After the twinkle stop, if the wireless icon display means the product in the Z-wave network, else not.

Memory Function

Parameter NO:4
-Length: 1 Byte
-Valid values =0 or 1(default value is 1)
 When the value is 0, device memory function not open; when the value is 1, open device memory function. The memory function means the thermostat will recover the operating mode after a power failure.

Z-wave Supported Command Class

COMMAND_CLASS_ASSOCIATION
 COMMAND_CLASS_ASSOCIATION_GRP_INFO
 CPMMAND_CLASS_BASIC
 COMMAND_CLASS_SWITCH_ALL
 COMMAND_CLASS_THERMOSTAT_MODE
 COMMAND_CLASS_THERMOSTAT_SETPOINT
 COMMAND_CLASS_SENSOR_MULTILEVEL
 COMMAND_CLASS_FIRMWARE_UPDATE_MD_V2

Daily use of the thermostat

- 1) on/off ""
- 2) In the manual mode, press " " or " " to make temporary control.
- 3) Press " " or " " to increase or decrease pre-set temperature.
- 4) Press " " and " " and hold for 5 seconds at the same time to adjust time. Press " " to choose object to adjust; Press " " or " " to increase or decrease your set values; Press " " to confirm and exit.
- 5) Press the " " key to select manual mode or clock-controlled program mode.
- 6) It displays the time or the pre-set temperature alternately, and it displays the measured temperature directly.
- 7) When you press " " and " " at the same time and hold for 5 seconds, the thermostat will be locked/unlocked. When it is locked, no operation can be carried out until it is unlocked.

Display symbols:

- Manual mode
- Period control mode
- Heating
- Getting up, the first period
- Out in the morning, the second period
- Going home at noon, the third period
- Out in the afternoon, the fourth period



- Going home in the evening, the fifth period
- Sleeping at night, the sixth period



Period programming

Press " " and hold for 5s to enter the mode of Period programming.

| Key | Period | Symbol | Time | Temperature |
|-----|---------|--------|-------|-------------|
| | weekday | 1 | 06:00 | 20°C |
| | | 2 | 08:00 | 15°C |
| | | 3 | 11:30 | 15°C |
| | | 4 | 12:30 | 15°C |
| | | 5 | 17:00 | 22°C |
| | | 6 | 22:00 | 15°C |
| | weekend | 1 | 08:00 | 22°C |
| | | 2 | 23:00 | 15°C |

Advanced setting (qualified person preferred)

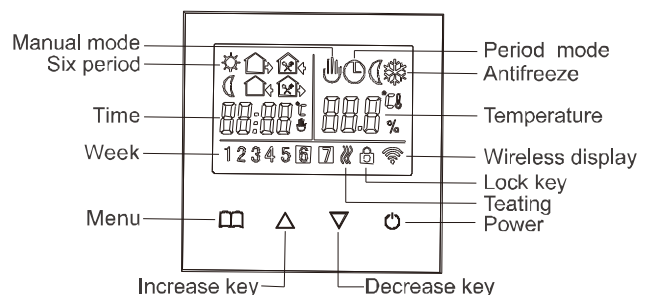
When the thermostat is turned off, You can press " " and turn on it at the same time, then you can enter the mode of advanced setting.

| Symbol | Setting | or |
|--------|--------------------------------|---|
| 1 | ADJ Temperature calibration | Adjust measured temperature |
| 2 | SEN Sensor mode | IN: built-in sensor OUT: floor sensor ALL: both sensors |
| 3 | LIT Limitation temperature | Adjust limitation value, Limitation range:5°C~60°C |
| 4 | DIF Switching differential | Adjus switching differential |
| 5 | LTP Antifreeze function | Turn on/off Anti-frozen function |
| 6 | PRG Set vacation mode | 00: 5/2 day mode 01: 6/1 day mode 02: 7 day mode |
| 7 | RLE Sound Settings | Turn on/off the sound |
| 8 | DLY Power saving mode | OFF: Long bright ON:Light 20s put out |
| 9 | HIT Max temperature | Limitation temperature setpoint |
| | AFAC Reset to factory settings | Press " " and hold for 5s, all parameters will be reset |

Sensor failure:

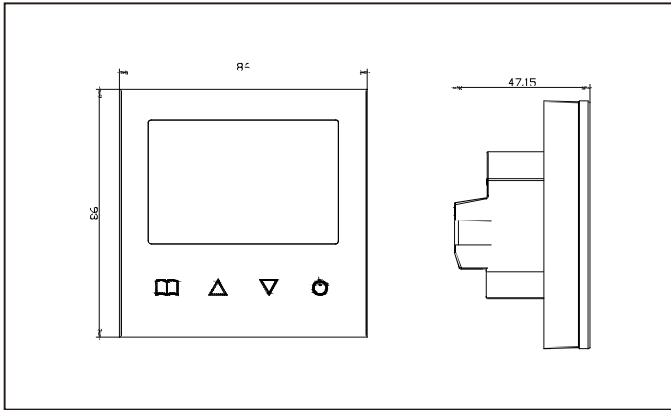
Please select the right sensor mode when operation, it will display the "Ero" "Eri" symbol on screen for sensor failure, thermostat must be checked till the fault is eliminated

Explanation of symbols:



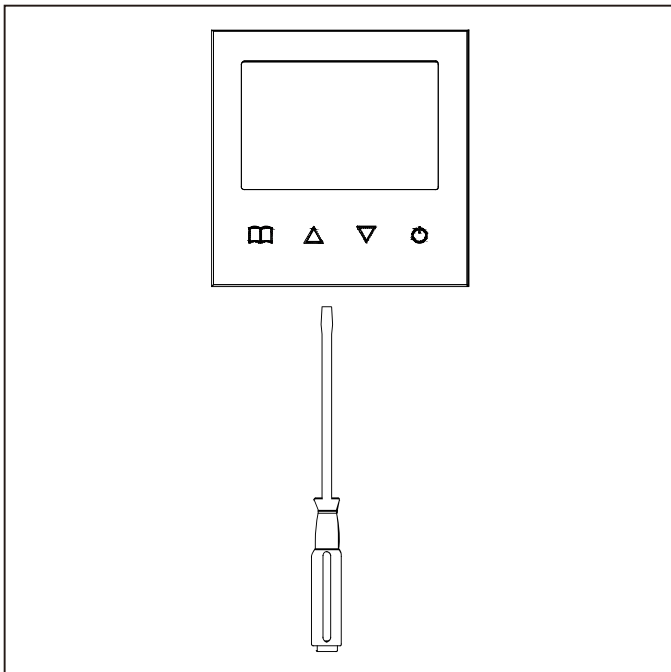
TZE93 Weekly Programming Thermostat with LCD Touch Screen Installation Manual

Dimension:
Unit:mm

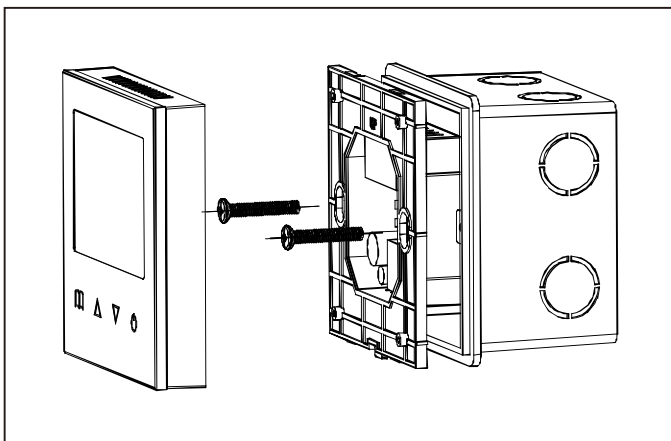


Mounting steps:

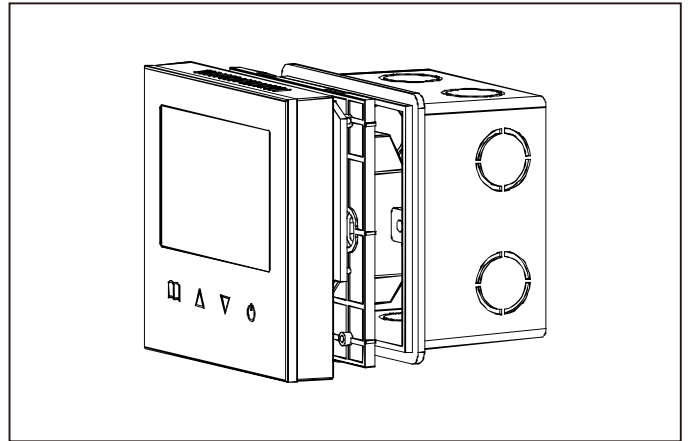
1. Removing cover from TZE93.
Use tool to gently push the cover locking clip vertically at bottom. Pull the base of the cover assembly away from rear case. Remove cover and put in safe place.



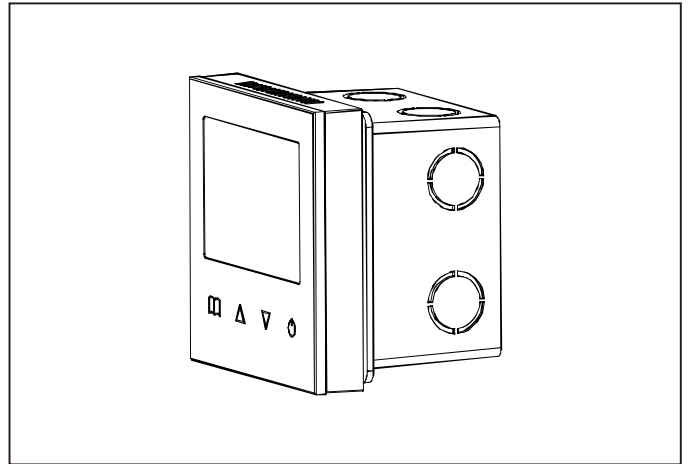
2. Wiring connections
Solid and stranded wire square: max 1.5 mm²
3. Install the rear case
First you should install a wall box which center hole distance is 60mm. then use screw to fix rear box on wall boxes.



4. Locate the front cover on rear case.
Ensure that the rear case and front cover are aligned each other.

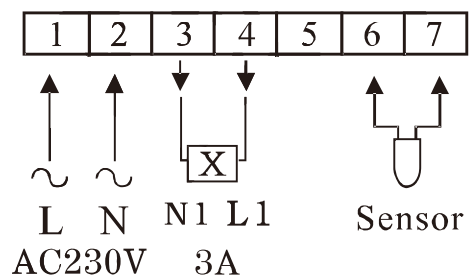


5. Gently locate the cover locking clip in rear case location and close it.



Connection diagram:

TZE93.713



TZE93.716

